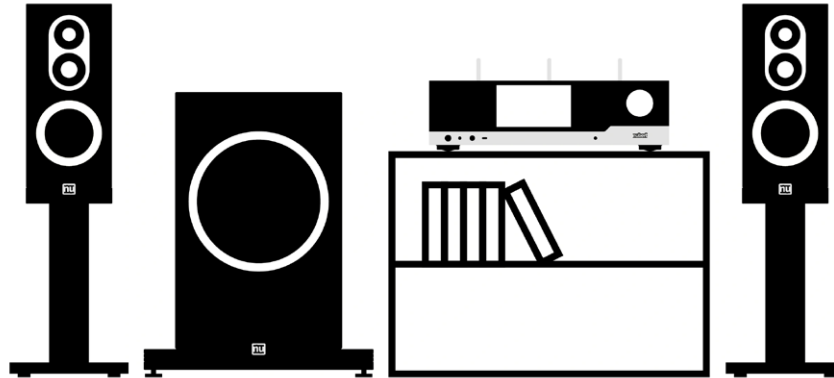


Nubert

nuControl X-2

Examples of use



**Network
setup**
See pages
36/37

If you have any questions or encounter any problems whilst setting up your Nubert system, please feel free to contact our service team. Please have your customer number to hand.
Telephone: +49 (0)7171 87120 · Email: info@nubert.de



nubert[®]

Thank you very much for choosing a Nubert product!

You will find instructions on how to set up your system in the commissioning guide at the back of this booklet.

In this guide, we explain the full range of functions, how to use the device and its connections in detail, so that you can achieve the best possible sound quality and functionality and enjoy your device to the full.

Please be sure to also follow the additional safety instructions enclosed!

The Nubert team wishes you lots of enjoyment!

Contents – Connection examples

Wireless connections via X-connect Surround	49
Power amplifier and passive loudspeaker	47
Active speakers via XLR or RCA	45
Headphones	44
Subwoofer	43
Analogue inputs	41
Digital inputs	40
USB port	39
Wi-Fi	36
Bluetooth	35

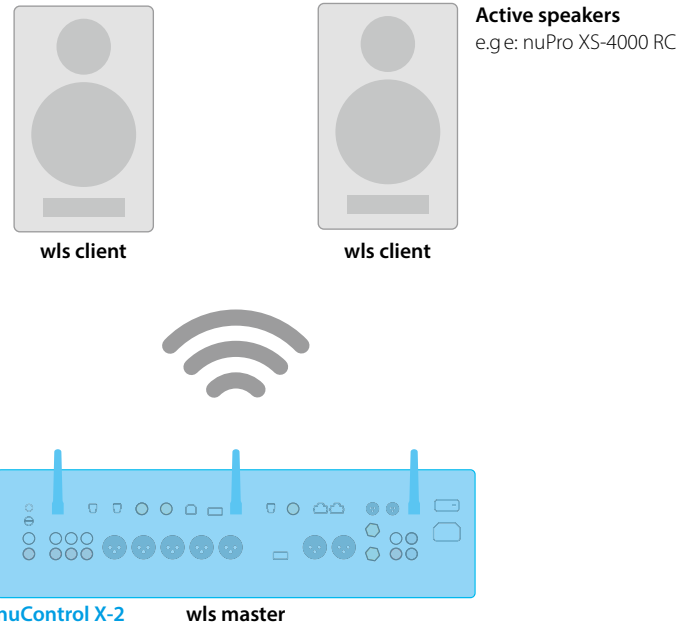
For detailed instructions on how to use the device, please refer to the booklet Please turn over.

Wireless connections via X-connect

To connect a speaker wirelessly to the nuControl X-2 via X-connect, first set the speaker to pairing mode /wls-client/slave (see the speaker's instructions).

On the nuControl X-2, navigate to Menu > **Output & Speakers**. Enable the output in the X-Connect **Wireless Output** section and confirm the prompt. You can then access the configuration menu by tapping **X-Connect Wireless Setup** and carry out the pairing process there. The nuControl X-2 will now search for compatible speakers and connect to the first one it finds. Once the connection is successful, the paired speaker will appear on the display. You can then configure the channel to be played, if desired.

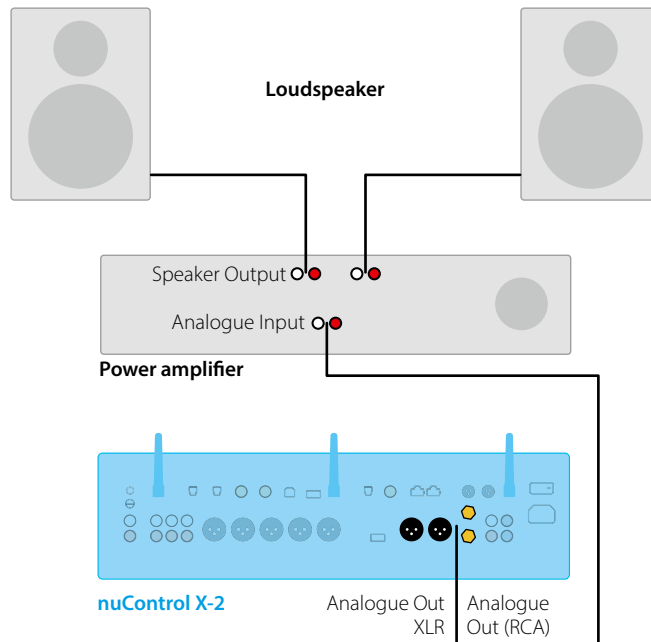
Note: To disconnect a speaker from the nuControl, we have found it helpful to connect to the speaker in question via the X-Remote app and, under the menu item > **setup**, change the operating mode – for example, to **'single'**.



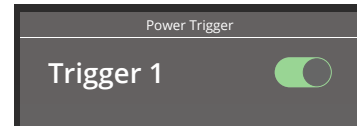
Power amplifier and passive loudspeaker

A power amplifier can be connected either in balanced mode via XLR or in unbalanced mode via RCA. The **Pre-out1** or **Pre-out2** sockets are used for this purpose.

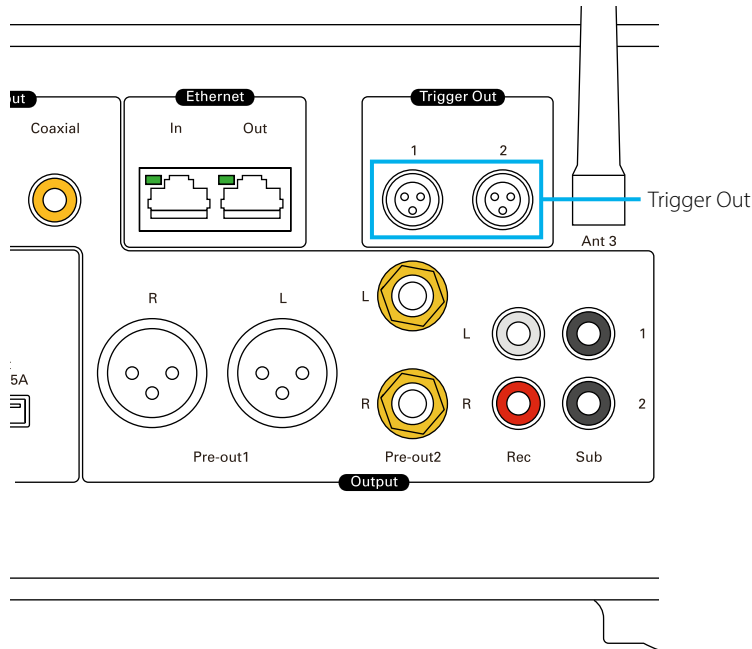
Among other things, they are volume-controlled and emit the main signal, which can be adjusted using the various equaliser settings in the Menu > **Sound Settings** (see page 12).



If the power amplifier is to be switched on and off in conjunction with the nuControl, the Trigger Out connectors can be used for this purpose. The nuControl provides a 12 V trigger signal here. The sockets are of the mini-XLR type to ensure a secure connection.



The trigger connections can be enabled or disabled individually in the Menu > **Trigger Output**.



Active speakers via XLR or RCA

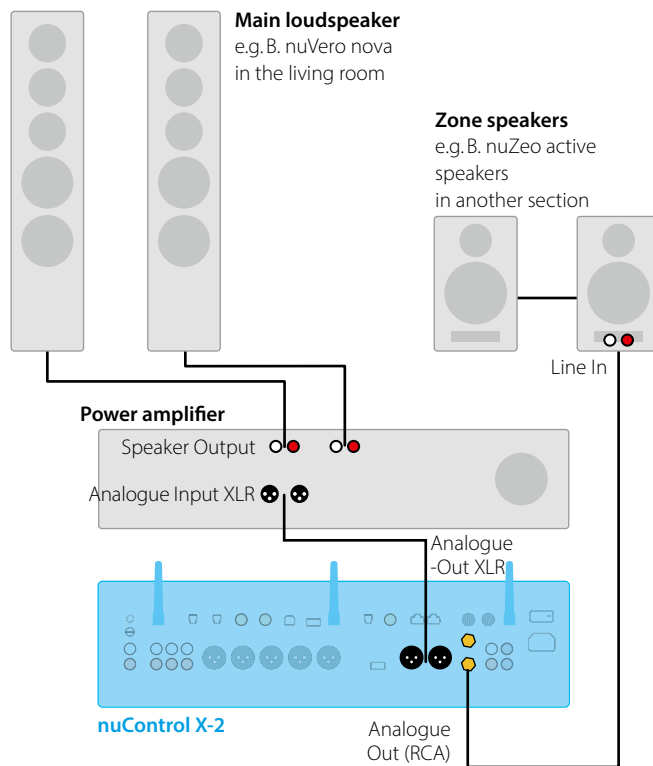
The nuControl X-2 preamplifier allows you to use the RCA and XLR front outputs simultaneously. This can be useful for connecting two different speaker systems. For example, the setup can be expanded to include two active speakers, which are fed the same signal as the main speakers.

As with connecting a power amplifier, active speakers can also be connected to the analogue outputs. The connection can be made either balanced via XLR or unbalanced via RCA.

To do this, use the 'Analogue Out XLR' or 'Analogue Out Pre' connections. Among other things, these are volume-controlled and output the main signal, which can be adjusted using the various equaliser settings in the menu

> **Sound Settings** > **Pre-out1** or **Pre-out2** (see page 12).

Note: Both outputs provide the identical, volume-controlled and, where appropriate, modified using the relevant tone controls Signal off. If two different pairs of speakers are to be As the system is in operation, it is therefore advisable to use settings that are as neutral as possible and to save these for operational use in one of the preset memory slots

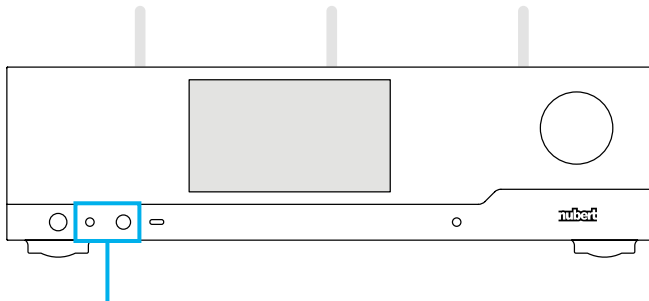


Headphones

Asymmetrical

The sockets for connecting headphones are located on the front of the device, labelled '**Headphones**'.

When you plug in a pair of headphones, the entire speaker system switches off automatically.



Headphone socket

Subwoofer

A subwoofer creates a much more pronounced sense of stereo, as it amplifies the reproduction of low frequencies. At the same time, this relieves the other speakers of the burden of reproducing the low-frequency range. This gives the setup considerably greater dynamic range. Active subwoofers can be connected to the **Sub** output on the nuControl X-2. The output provides a volume-controlled, low-pass filtered mono signal for this purpose. Settings can be adjusted under **> Sound Settings > Sub Out**.

If the subwoofer is controlled wirelessly via **X-connect-Surround**, the settings must be adjusted on the subwoofer itself, as it always outputs a full-range signal. If necessary, please refer to the subwoofer's user manual to find out how to set it up for wireless operation.

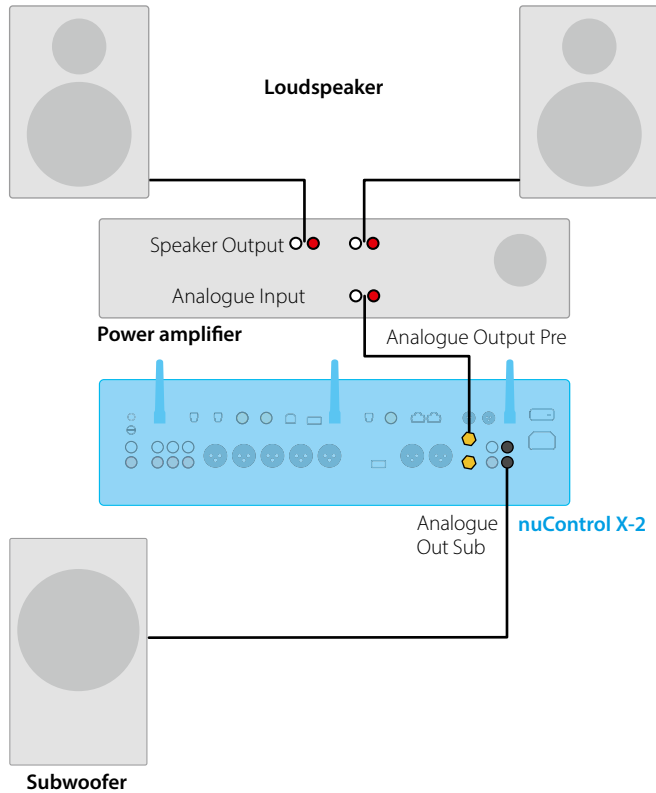
Sub / Sat-System

It is advisable to set the upper crossover frequency on the subwoofer to the maximum value and to carry out further, finer tuning of the parameters via the subwoofer menu on the nuControl X-2. Detailed adjustments to the subwoofer can be made in the Nubert app.

Subwoofer menu

In the **Sub-Out** menu, you can access the tone control for the nuControl X-2's subwoofer channel. A mono signal is available at the output.

Tip: The nuVero nova 1W and nuZeo 8W models support the wireless transmission of delay and EQ settings. Other subwoofers in the XW series only receive the audio signal; in this case, the relevant settings must be adjusted directly on the subwoofer.



Tip: With the nuControl X-2, you can ensure that the signals from the satellite speakers and the subwoofer are correctly combined not only by adjusting the subwoofer’s delay, but also by applying a delay to the satellite speakers.

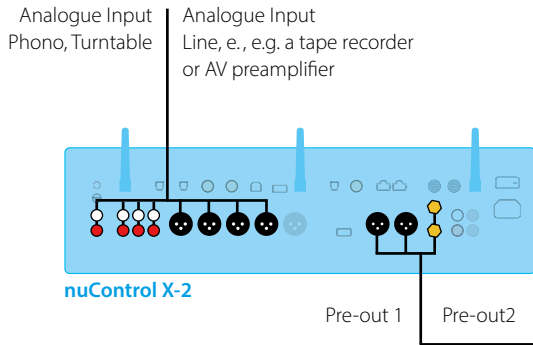
Setting an appropriate delay for the satellites offers significant advantages over setting a delay for the subwoofer in terms of the overall system’s temporal alignment.

If the satellite speakers are delayed when a subwoofer is integrated into the system, it is possible to achieve sound performance that is every bit as good as that of high-quality floor-standing speakers. It is therefore advisable to use the ‘Delay’ option in the Sound menu to ensure the timing is correct when setting up the entire system.

Analogue inputs

Phono, line and XLR inputs

The nuControl X-2 allows you to connect a wide variety of analogue sources. Both MC and MM cartridges can be connected to the phono input. The appropriate sensitivity is selected using a switch on the rear of the unit. In addition to the two pairs of balanced XLR inputs, three pairs of unbalanced RCA inputs can also be used. The Aux 3 input is particularly recommended for connecting an AV preamplifier; for this input, the volume control can be deactivated by tapping and holding the volume indicator on the unit's display for at least 5 seconds. A dialogue box will appear prompting you to confirm the action.

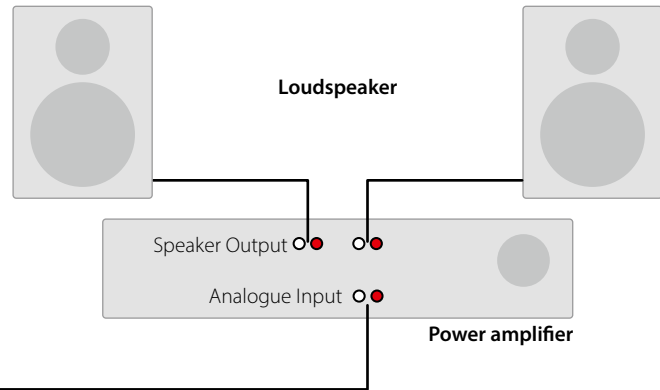


Example of a stereo setup

Even with a simple two-speaker stereo system, the nuControl X-2 preamplifier can significantly enhance your listening experience.

In the example below, two passive speakers are connected to a power amplifier via speaker cables; you then connect the nuControl X-2 to the power amplifier via an analogue output.

Even in this configuration, the pre-amp's wide range of finely adjustable and individually customisable settings really come into their own.



Digital inputs

Optical / Coaxial

Source devices with an electrical or optical S/PDIF digital output can be connected here, for example network players, televisions and games consoles.

The signal is transmitted entirely digitally.

USB-C (front)

The USB-C port on the front panel is designed for connecting USB storage devices and can be used as a USB storage input. It supports storage devices with a capacity of up to 1 TB.

USB-A 'Storage' (rear)

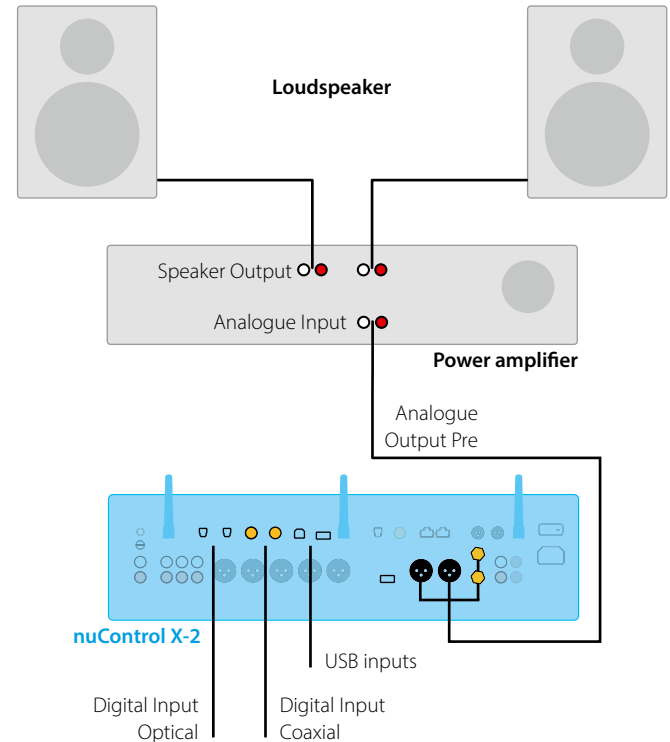
This port is designed for USB storage devices such as USB sticks or external hard drives. It supports storage devices with a capacity of up to 1 TB.

USB-A 'port' (rear)

This connection is intended for the optional Nubert HDMI ARC dongle. The port can also be used to power compatible USB devices.

USB-B (rear)

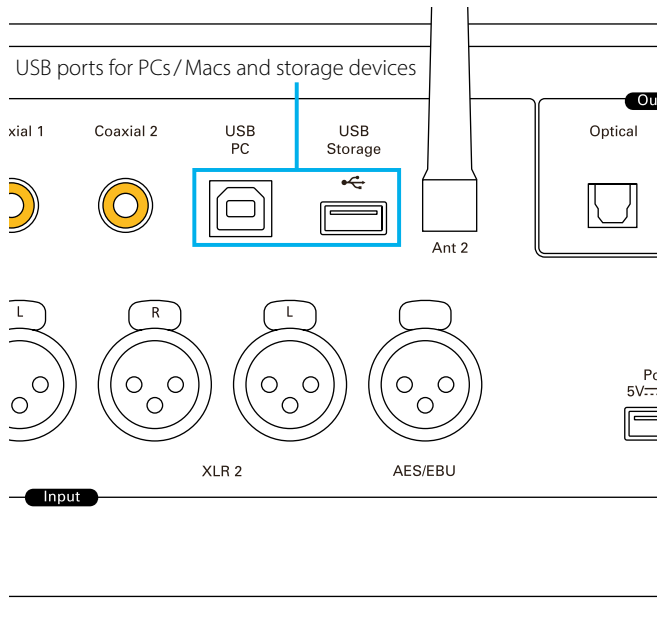
The USB-B port is used to connect to computers and other compatible devices, such as PCs or Macs. This allows the nuControl X-2 to be used as a USB audio device.



USB port

Audio playback via a sound card on a PC

When connected to a computer via USB, the nuControl X-2 is automatically recognised as an external sound card. This allows audio files from the PC to be played through the hi-fi system. To do this, select the **USB** input from the menu on the nuControl X-2.

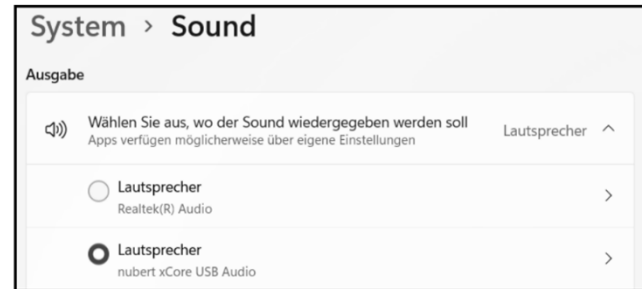


Microsoft Windows 10 / 11 and macOS (Sierra and later) automatically download and install the required driver. Alternatively, this driver is also available at www.nubert.de/downloads. If, in the unlikely event that this does not work:

Manual selection of the output device

Open the operating system's system settings and navigate to the options > **Sound > Output** . You can select the audio output device there.

Windows:



macOS:



Manual selection of the output format in shared mode

Windows allows you to specify the output format in which music data is passed to the USB DAC in shared mode will be. To do this, proceed as described above to the section

> **System**

> **Sound**

> **Device specifications**

> **Additional device features**

> **'Advanced' tab**

Navigate. Select the speaker whose settings you wish to adjust. You can select the default format from the drop-down menu here.

Note: This does not affect the playback of applications running in exclusive mode. In this case, the playback format is determined directly by the application.

There is no software available for controlling the functions of the nuControl X-2 via a PC; even in this configuration, when connected to a computer, the preamplifier must be controlled using the remote control or the display.

USB ports for storage devices

On the back of the device there is a USB port labelled '**USB Storage**', to which USB sticks or hard drives can be connected. Even without access to a streaming service, this means you can always have your favourite digital music to hand.

The nuControl X-2 recognises music files in the following formats: mp3, wav, aac, ogg, alac, wma and flac. USB sticks with a capacity of up to 1 TB are supported as mass storage devices.

To play back audio, select the '**USB Storage**' input on the nuControl X-2.

Network

The nuControl X-2 is fully network-compatible and supports the DLNA and UPnP standards. This means it can be discovered by other devices on a network.

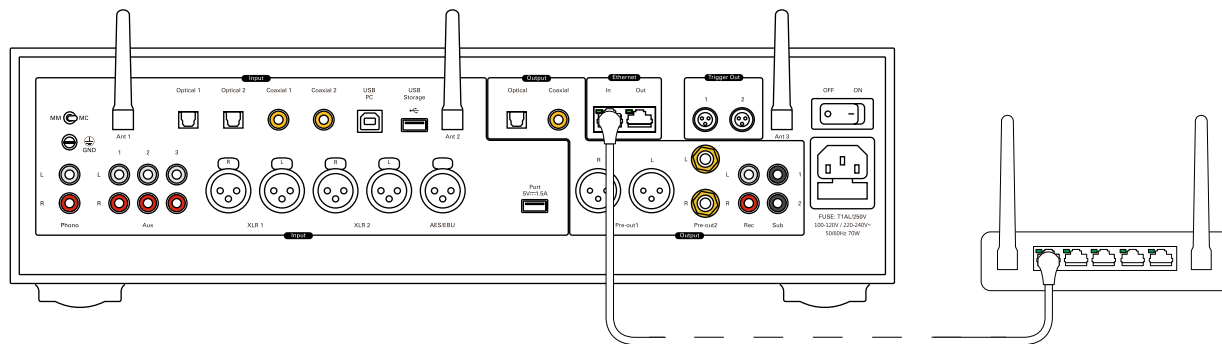
Network operation offers a particularly convenient solution.

The nuControl X-2 acts as a network player and streams your music, even wirelessly if desired.

Quick access to streaming libraries, such as those from Spotify or Tidal, is another advantage. This means thousands of music tracks and albums are available in a matter of seconds.

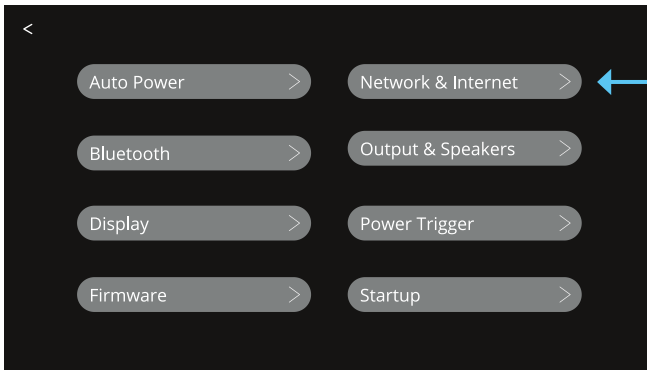
Via an Ethernet cable

Connect the nuControl X-2 to the router using a LAN cable, as shown in the diagram. The internet connection will be set up automatically.

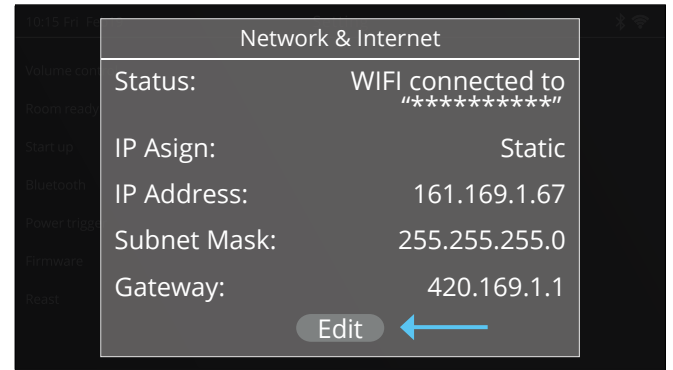


Wi-Fi

First, go to Menu > **Network & Internet** > **Edit**, enable **Wi-Fi** and select the desired network connection (see page 14).



Selecting the Wi-Fi setting in the **Network & Internet** menu

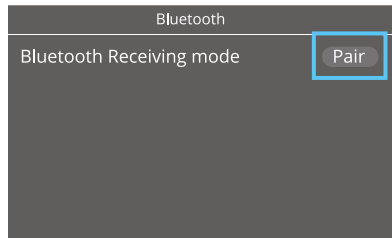
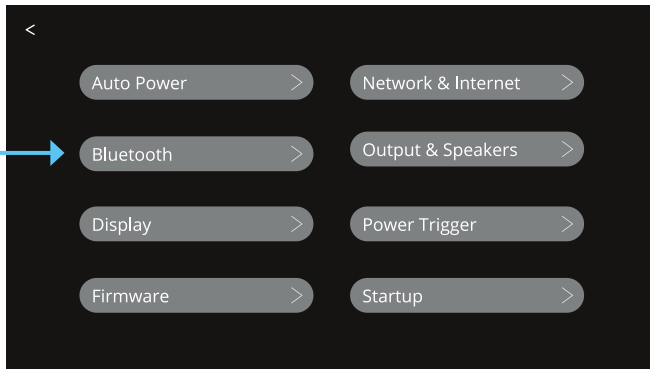


Provided you have an internet connection, you can choose your preferred service from a range of streaming providers (optional and subject to a charge).

Tip: To remove a saved network, press and hold the 'Connected' icon. You will then see the option to forget the current network and set up a new connection.

Bluetooth

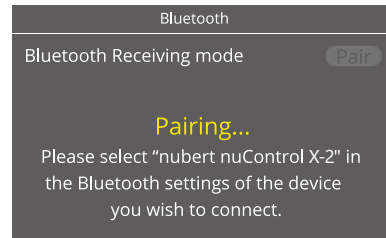
The nuControl X-2 features a built-in Bluetooth receiver for wireless playback of audio signals from compatible devices such as smartphones, tablets or computers.



To connect a Bluetooth device, open the **Bluetooth** menu in **Settings**.

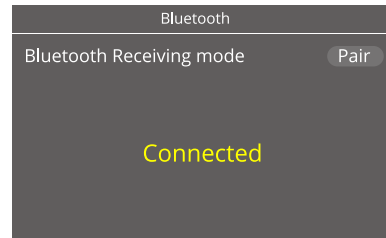
Next, select 'Bluetooth Receiving mode' and tap '**Pair**'.

The nuControl X-2 will now enter pairing mode. The message 'Pairing...' will appear on the display. Now enable Bluetooth on the device you wish to connect to, and select 'hubert nuControl X-2' from the list of devices.



Once pairing is complete, the display will show the status 'Connected'. Audio from the connected device will now be output via the nuControl X-2.

If the connection fails, the message 'Failed' will appear. In this case, repeat the pairing process or check the Bluetooth settings on the device you are trying to connect to.



◀ Examples of use



Subject to technical changes and printing errors.
Further information about this product is available at
<https://www.nubert.de/downloads>
The General Terms and Conditions can be viewed at
www.nubert.de/agb.htm

Nubert electronic GmbH
1 Nubertstraße
73529 Schwäbisch Gmünd
Telephone: +49(0)7171 8712-0
<https://www.nubert.de>
© Nubert 06 / 2026