

QuickStart Guide

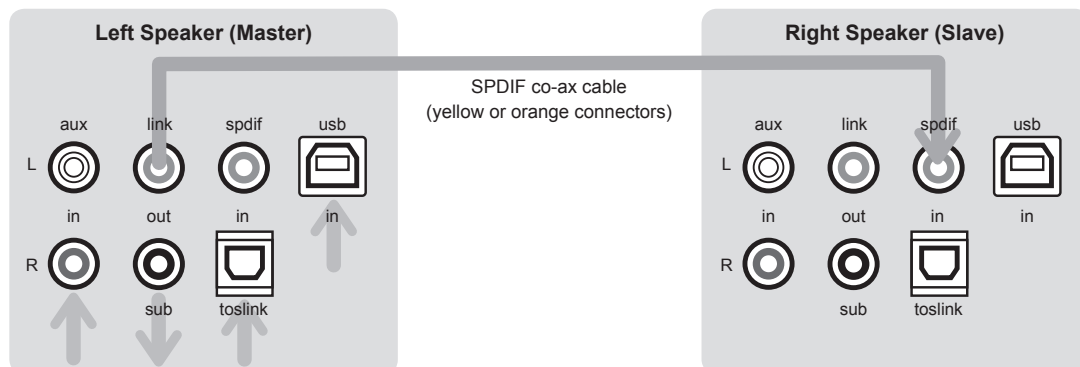
nuPro A-Series: Desktop Speakers

Please read the Safety instructions and Operating manual carefully!

Connections

Connect all sources (and optional subwoofer) to the left speaker.

Select the source with the remote control



All nuPro speakers are set up the same way: after being powered on, they will - depending on the cable connections - configure themselves as either Master or Slave and are then ready to use.

As the nuPro software defines the left loudspeaker of a stereo pair as master and the right one as slave, you must place your master-speaker to the left. All settings of the loudspeakers in stereo (Pair)-mode are based on this configuration. The digital connection of the speakers enables their combined control. All settings are made on the left master speaker, and all source devices are also connected to this speaker. For further applications, see page 8 of the operating instructions.

Caution! Complete all cable connections before you switch the speaker on!

a) Signal connections

Use the supplied SPDIF co-ax cable (yellow or orange connectors) to connect two speakers in a stereo-setup. Longer cables are available in our accessory shop.

Connect the link-output on the left speaker to the SPDIF-input on the right speaker, as shown above. Connect your sources to the left speaker.

You can find more information about connections and applications on page 5 in the operating manual.

b) Power connector and power switch

Connect the included power cable to the power connector on **each** nuPro and then to a power outlet. The power switch on the back completely disconnects the nuPro from the power-grid. All settings are stored.

c) Stand-by

Pressing ⏪ on the control pad wakes the speaker up from stand-by. Keeping ⏪ pressed for 6 seconds returns the speaker to stand-by. Switching the speaker in and out of stand-by can also be done using the remote control or the auto on/off function (see page 8, section "auto" in the operating manual).